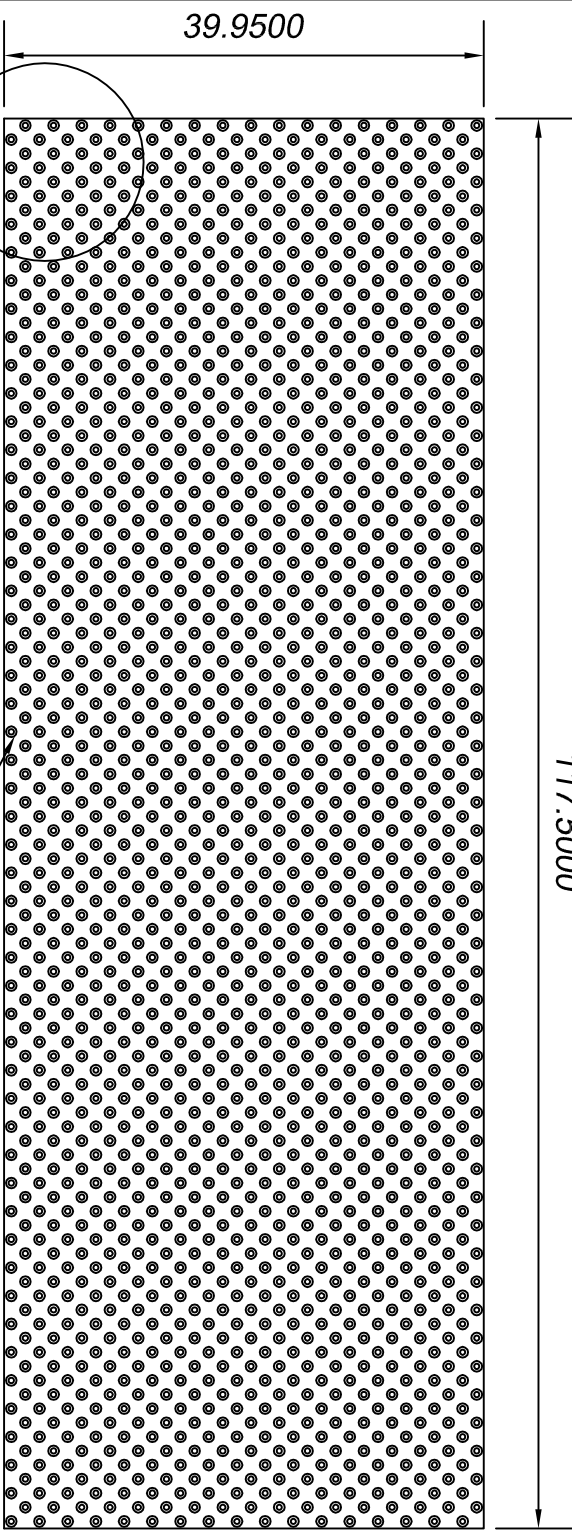


117.5000

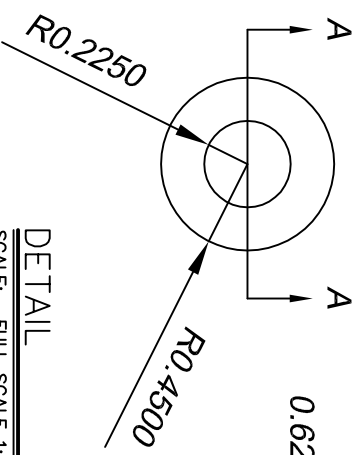


- SINGLE USE
- MEDIUM USE
- HIGH USE

SEE DETAIL "A"

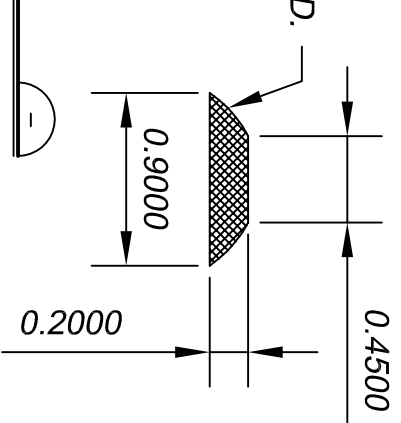
ELEVATION VIEW

SCALE: 3/4" = 1'-0"

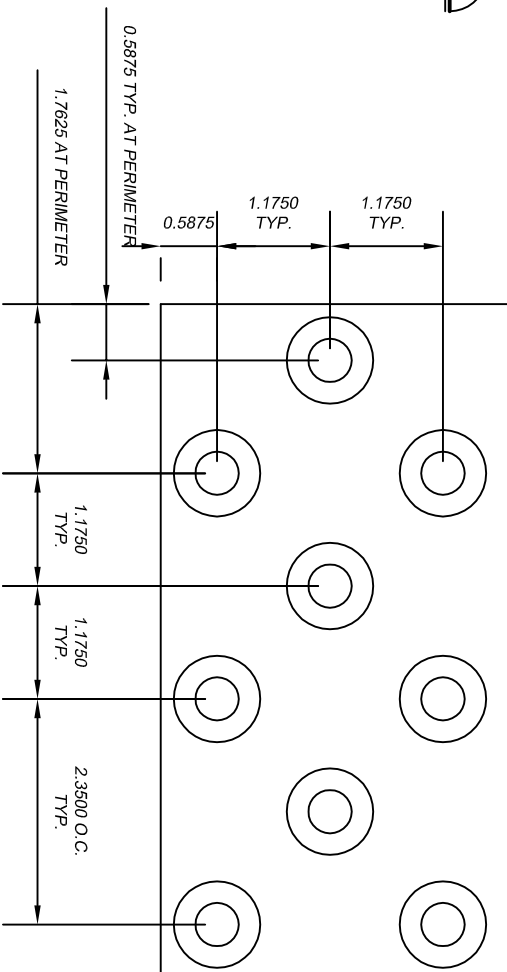


DETAIL

SCALE: FULL SCALE 1:1



DIMPLES PROTRUDE FROM FINISHED CONCRETE - SEE DIMPLE DETAIL BELOW



DETAIL A

SCALE: 6" = 1'-0"

REV. MARK	REVISION	BY	CHK	APP	DATE	DESIGNED:	DATE:
						DRAWN:	
						CHECKED:	
						APPROVED:	
						MFG. REF.:	
						SHEET NUMBER:	
						PART NUMBER:	
						QUANTITY REQUIRED:	
						SCALE:	AS SHOWN
						DWG. REF. NO.:	SOM450
Southern Metal & Plastic Products							
3400 TREE CRT. IND. BLVD., ST. LOUIS, MO 63122-6889							
PH: 800-325-3597 FX: 636-825-6567							
WEBSITE: www.sometals.com							
#S450 ADA TACTILE PATTERN							
							REV