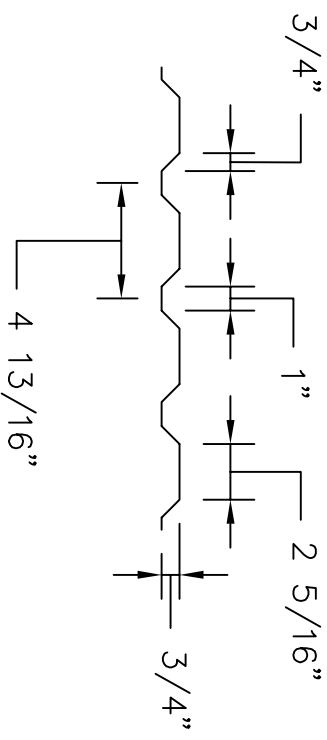
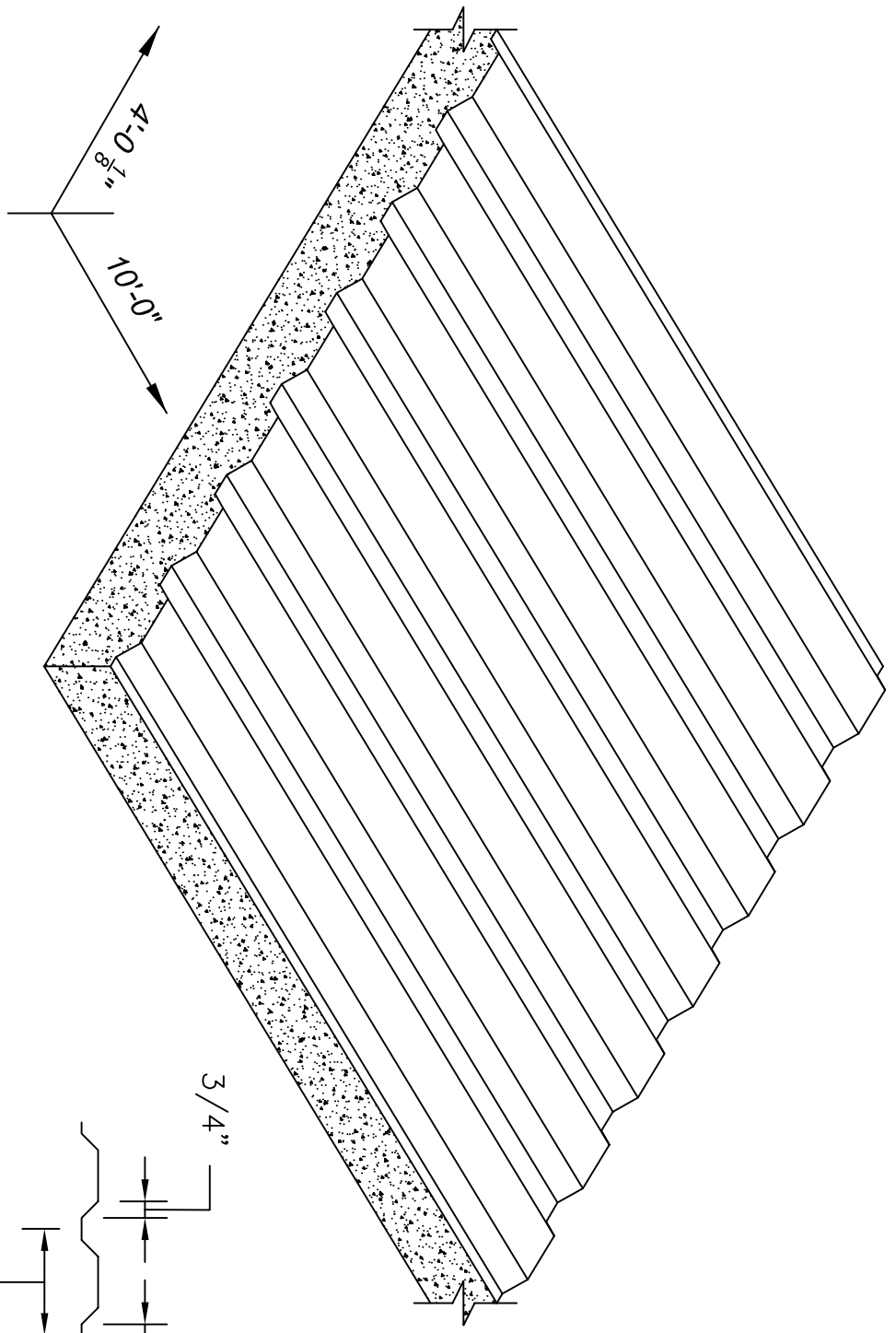


- SINGLE USE
- MEDIUM USE
- HIGH USE



ISOMETRIC VIEW 

SCALE: NOT TO SCALE

SECTION VIEW 

SCALE: 1-1/2" = 1'-0"

REV. MARK	REVISION	BY	CHK	APP	DATE	DESIGNED:	DATE:
						DRAWN:	PART NUMBER:
						CHECKED:	QUANTITY REQUIRED:
						APPROVED:	SCALE:
						MFG. REP.:	DWG. REF. NO.:
						SHEET NUMBER:	SOM396
<p><b>Southern Metal &amp; Plastic Products</b>            3400 TREE CRT. IND. BLVD., ST. LOUIS, MO 63122-6689            PH: 800-325-3597 FX: 636-825-6567            WEBSITE: www.sometals.com</p>							
<p>#S396 TRAPEZOIDAL RIB</p>							
<p>REV</p>							