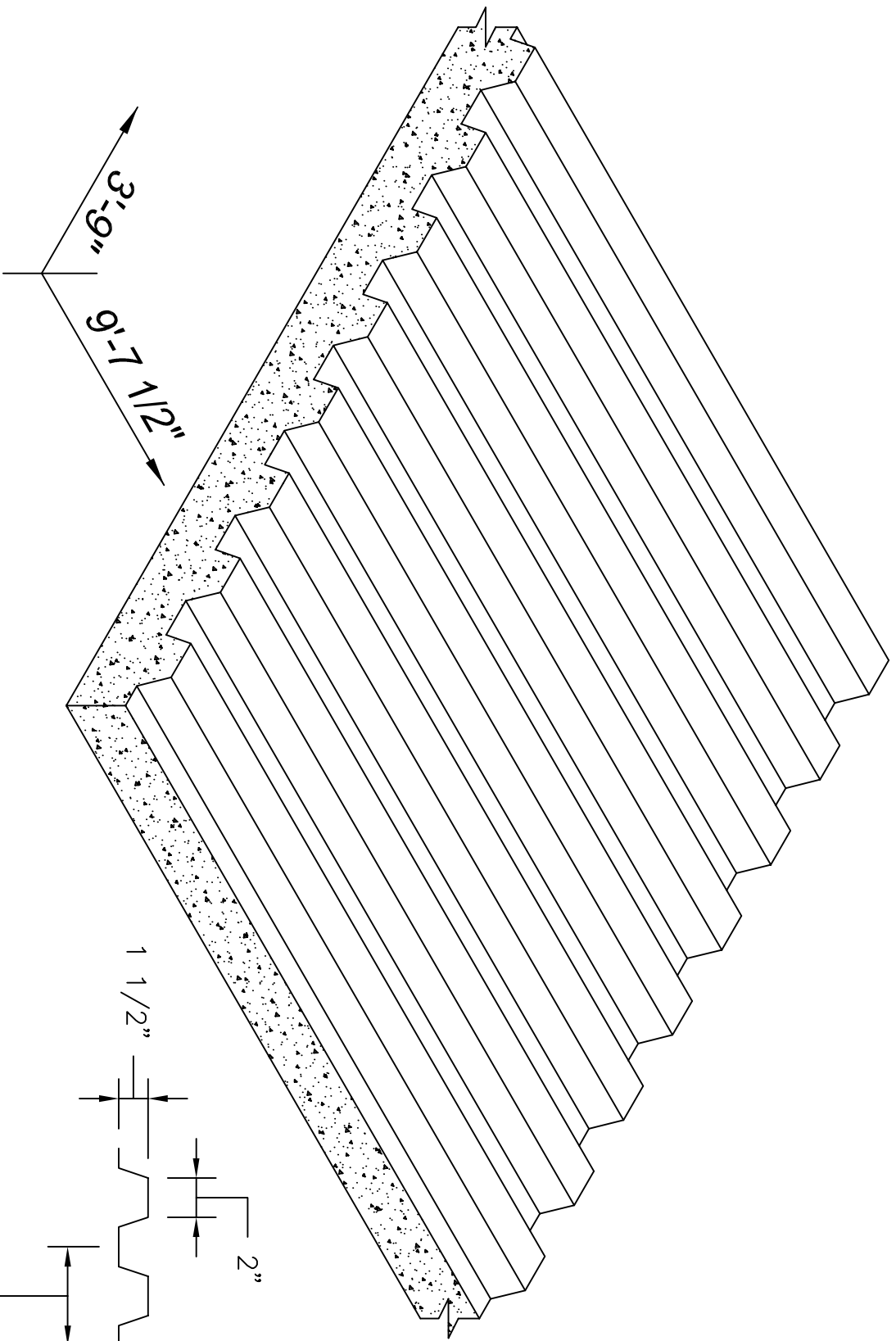
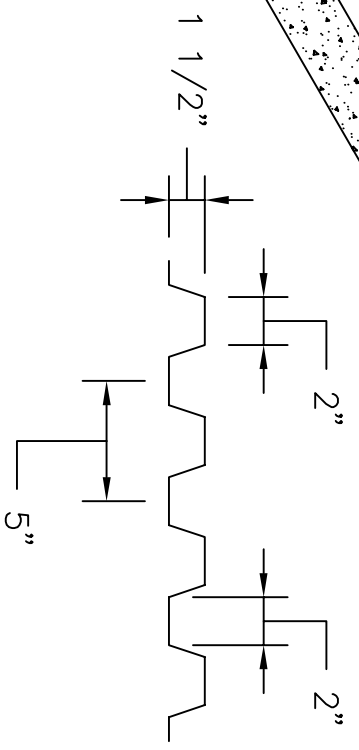


- SINGLE USE
- MEDIUM USE
- HIGH USE



ISOMETRIC VIEW

SCALE: NOT TO SCALE



SECTION VIEW

SCALE: 1-1/2" = 1'-0"



REV. MARK	REVISION	BY	CHK	APP	DATE	DESIGNED:	DATE:
						DRAWN:	PART NUMBER:
						CHECKED:	QUANTITY REQUIRED:
						APPROVED:	SCALE:
						MFG. REP.:	DWG. REF. NO.:
						SHEET NUMBER:	SOM315
<p><b>Southern Metal &amp; Plastic Products</b>                  3400 TREE CRT. IND. BLVD., ST. LOUIS, MO 63122-6889                  PH: 800-325-3697 FX: 636-825-6567                  WEBSITE: www.sometals.com</p>							
<p>TITLE: #S315 TRAPEZOIDAL RIB</p>							
<p>REV:</p>							