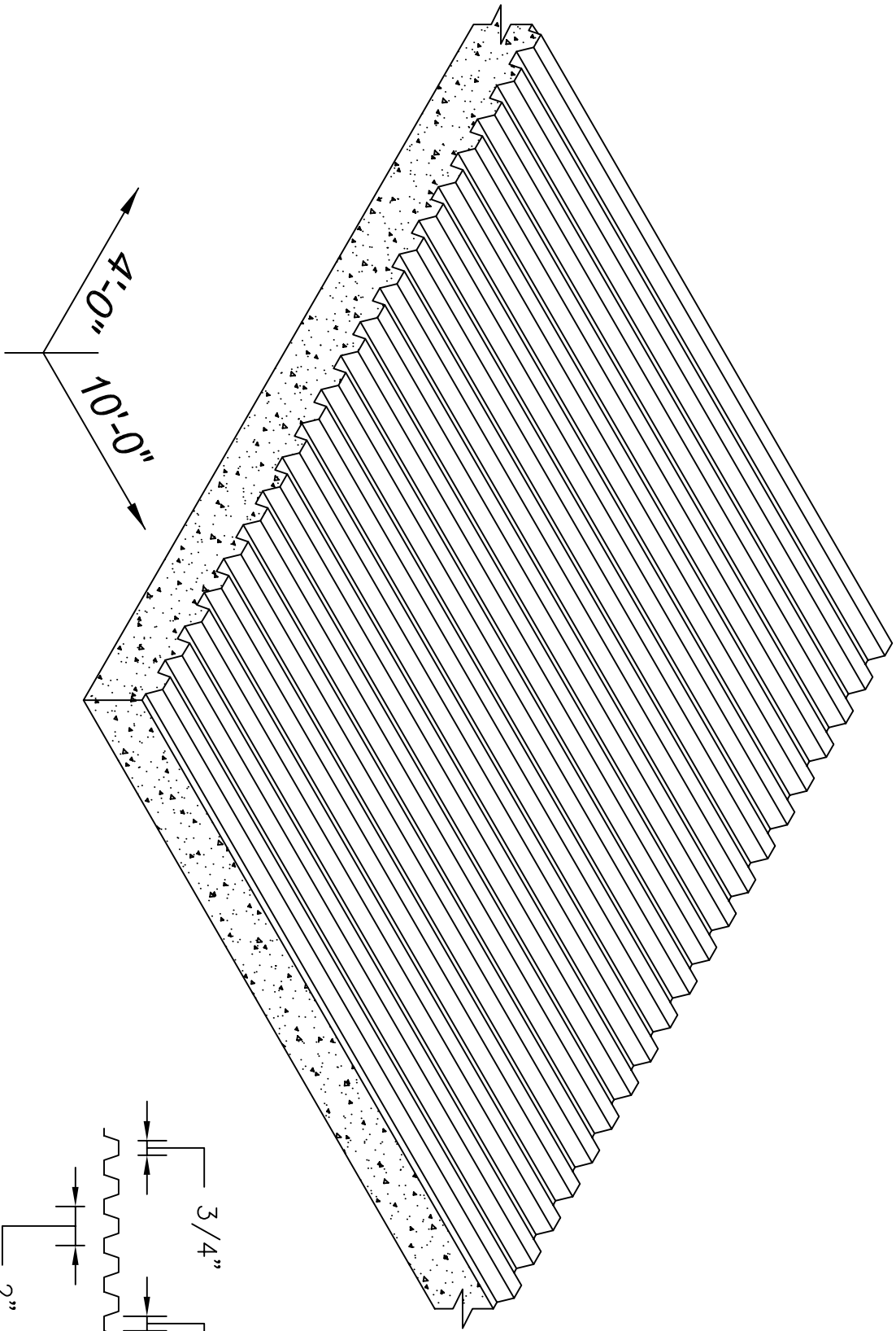
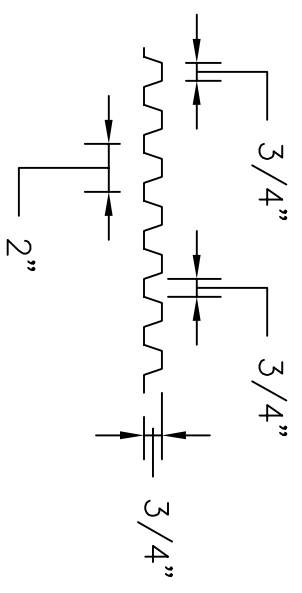


- SINGLE USE
- MEDIUM USE
- HIGH USE



ISOMETRIC VIEW

SCALE: NOT TO SCALE



SECTION VIEW

SCALE: 1-1/2" = 1'-0"

REV. MARK	REVISION	BY	CHK	APP	DATE	DESIGNED:	DATE:
						DRAWN:	PART NUMBER:
						CHECKED:	QUANTITY REQUIRED:
						APPROVED:	SCALE:
						MFG. REP.:	DWG. REF. NO.:
						SHEET NUMBER:	SOM304

<p>Southern Metal & Plastic Products</p> <p>3400 TREE CRT. IND. BLVD., ST. LOUIS, MO 63122-6889</p> <p>PH: 800-325-3597 FX: 636-825-6567</p> <p>WEBSITE: www.southernmetals.com</p>		TITLE:
		#S304 TRAPEZOIDAL RIB
REV.		