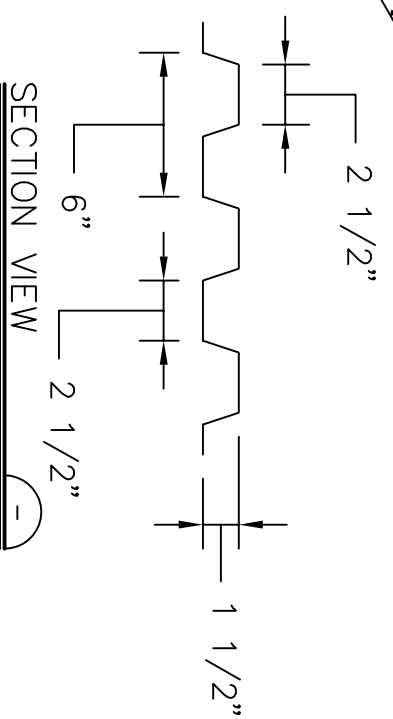
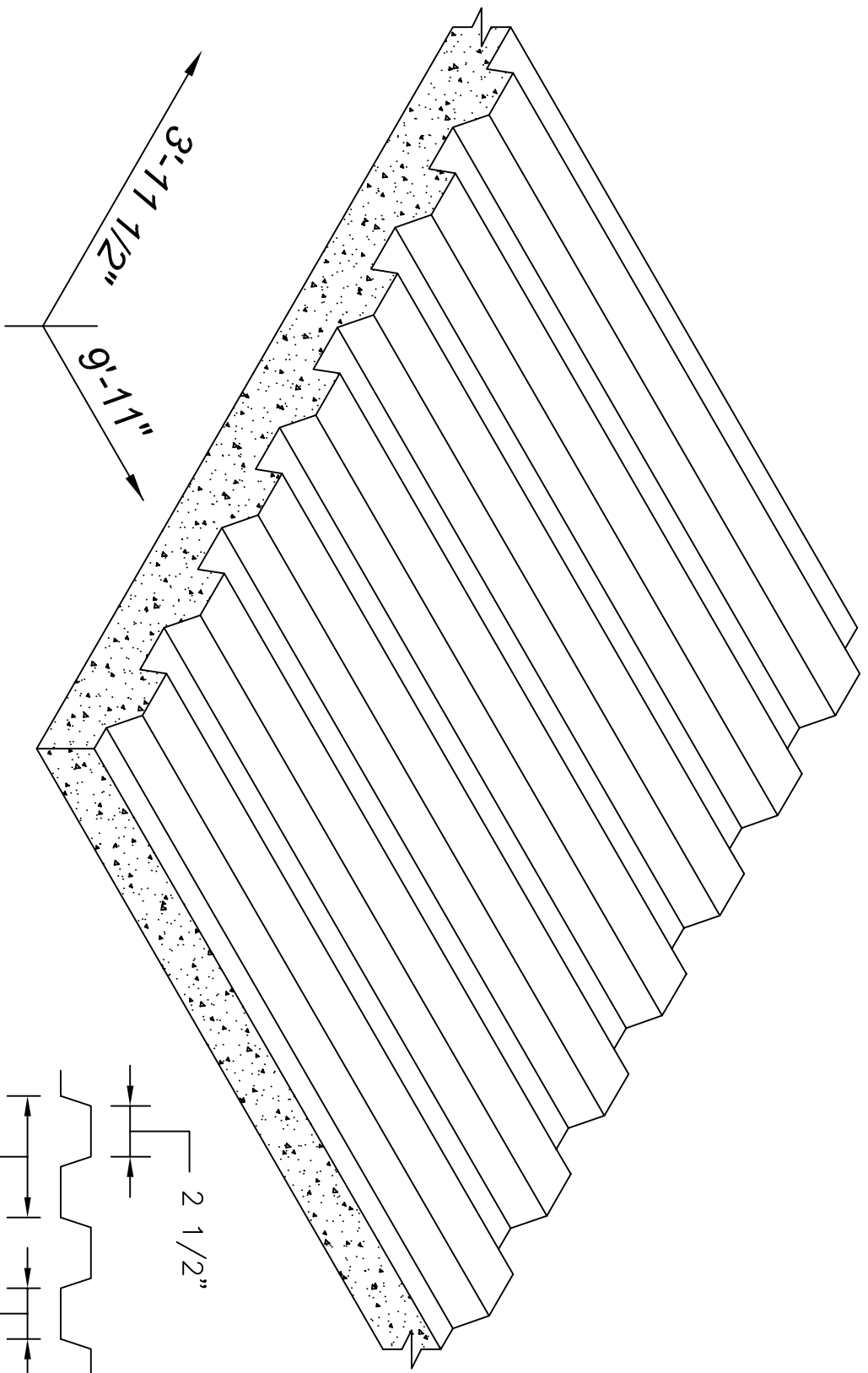


- SINGLE USE
- MEDIUM USE
- HIGH USE



ISOMETRIC VIEW

SCALE: NOT TO SCALE

SECTION VIEW

SCALE: 1-1/2" = 1'-0"

REV. MARK	REVISION	BY	CHK	APP	DATE	DESIGNED:	DATE:
						DRAWN:	PART NUMBER:
						CHECKED:	QUANTITY REQUIRED:
						APPROVED:	SCALE:
						MFG. REF.:	DWG. REF. NO.:
						SHEET NUMBER:	SOM301

<b>Southern Metal &amp; Plastic Products</b>	
3400 TREE CRT. IND. BLVD., ST. LOUIS, MO 63122-6689	
PH: 800-325-3597	FX: 636-825-6567
WEBSITE: <a href="http://www.sometals.com">www.sometals.com</a>	
TITLE: #S301 TRAPEZOIDAL RIB	
REV	