

In conjunction with joint reinforcing, Masonry Control Joints control cracks in masonry walls by relieving vertical stresses in the wall, while providing sufficient shear strength for lateral stability. Controlled cracks help maintain moisture resistance and general appearance of the structure. Southern Masonry Control Joints are available in either PVC or Synthetic Rubber.

PVC Masonry Control Joint

Physical Properties

PVC Masonry Control Joint, classified by ASTM D 2287-81, is Type PVC-55507. The material meets or exceeds the properties listed when tested in accordance with the stated test methods.

Property	Method	Value
Durometer hardness	ASTM D 2240	75 Shore A Units (+/-5)
Specific gravity	ASTM D 792	1.35 nominal
Elongation	ASTM D 412	300% min.
Tensile strength	ASTM D 412	2020 psi min.
Brittleness temperature	ASTM D 746	-40° F, -40°C
Shear	ASTM D 732	1200 psi min
Shear/lin in.	ASTM D 732	750 lb.

PVC Profiles

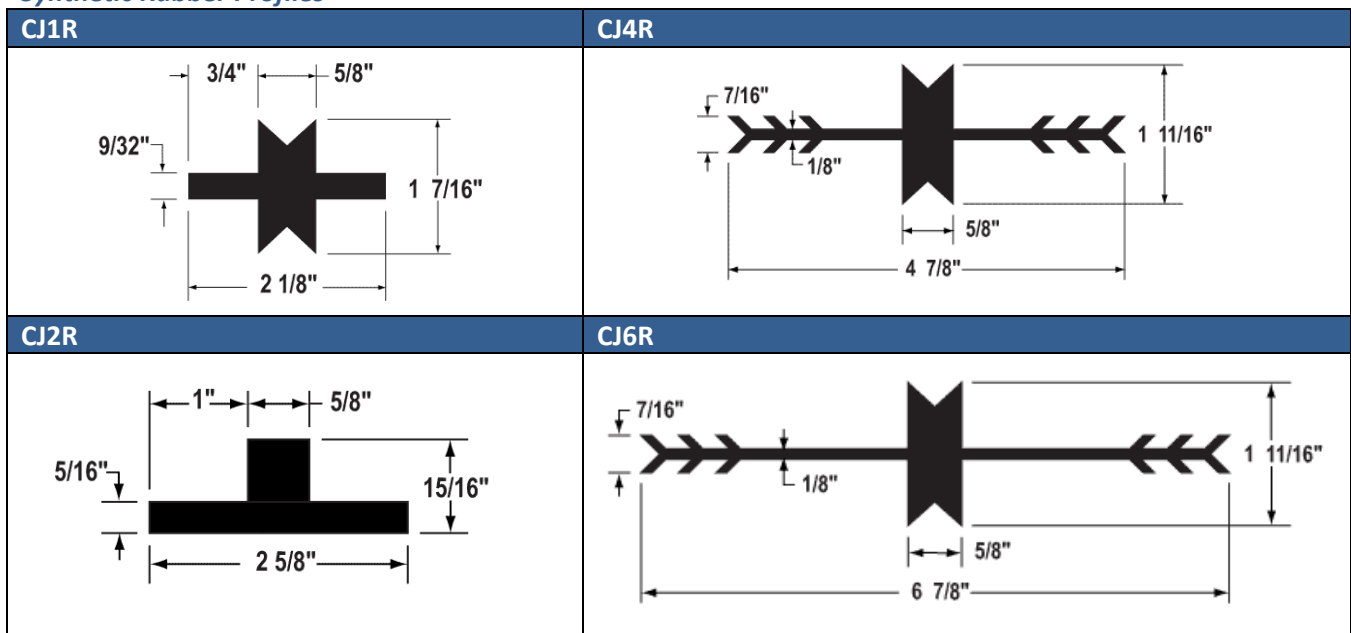
CJ1	CJ4
CJ2	CJ6
CJ11	

SYNTHETIC RUBBER CONTROL JOINTS

Synthetic Rubber Masonry Control Joint, classified by ASTM D 2000-92, is Type RUBBER-2 AA 805 A 13 F 17. The material meets or exceeds the properties listed below when tested in accordance with the stated test methods.

Property	Method	Value
Durometer hardness	ASTM D 2240	80 Shore A Units (+/-5)
Elongation	ASTM D 412	300% min.
Tensile strength	ASTM D 412	2100 psi min.
Brittleness temperature	ASTM D 2137	-40° F, -40° C
Shear	ASTM D 732	1800 psi min.
Shear/lin. in.	ASTM D 732	1125 lb.

Synthetic Rubber Profiles



ALL SOUTHERN MASONRY CONTROL JOINTS ARE MANUFACTURED IN 48" LENGTHS

